

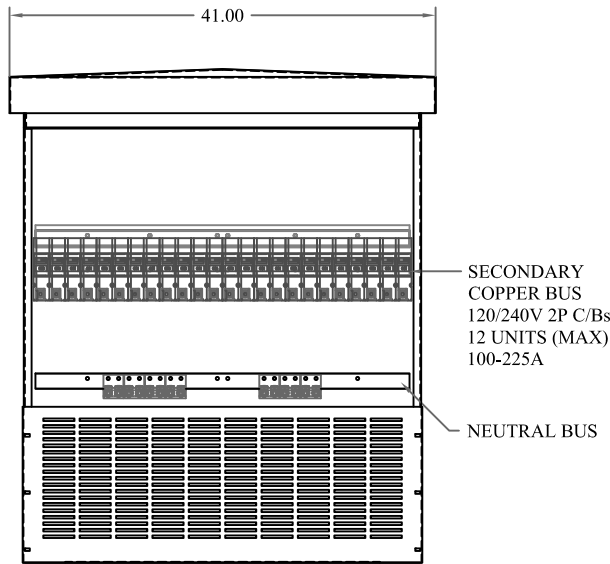


EPC RESIDENTIAL PRODUCTS

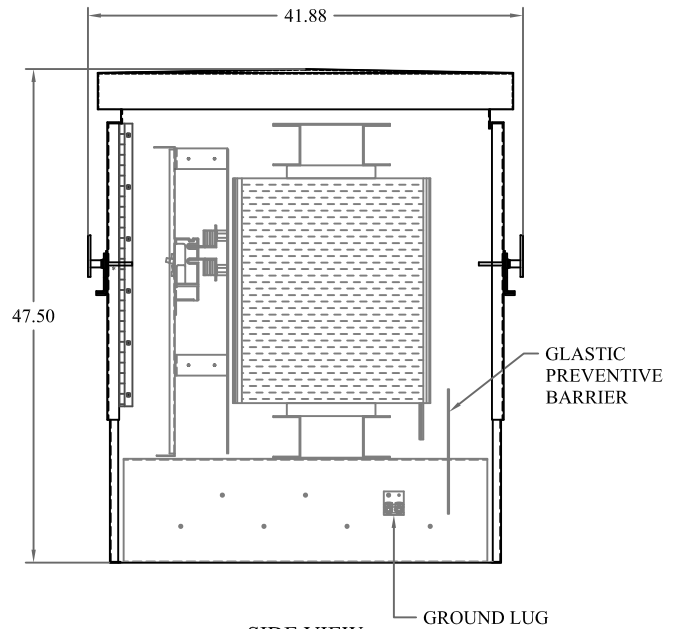
MHS MODEL SERIES

50 kVA to 250 kVA UNIT SUBSTATION

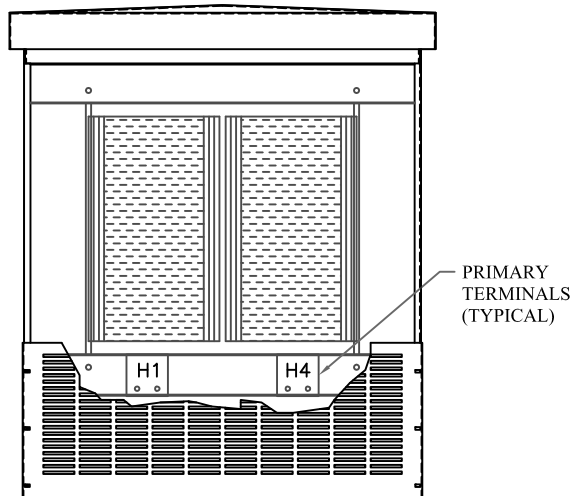
480 VOLT PRIMARY



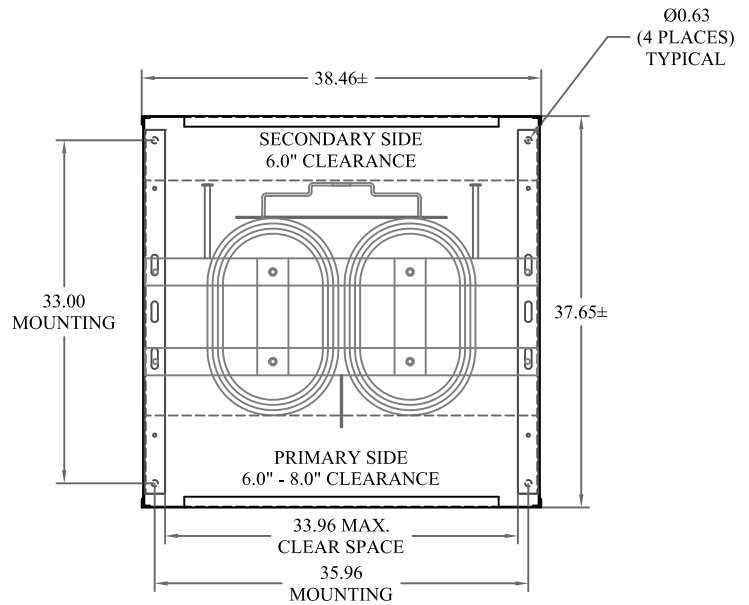
FRONT VIEW
(SECONDARY SIDE)



SIDE VIEW



REAR VIEW
(PRIMARY SIDE)



PLAN VIEW

SPECIFICATIONS

- * NEMA 3R ENCLOSURE
- * POLYESTER POWDER-COATED FINISH EXCEEDS ASTM-B-117 SPECIFICATIONS
- * FABRICATED FROM CORROSION-RESISTANT ZINC-COATED STEEL
- * UL LISTED FOR USE AS MOBILE HOME UNIT SUBSTATION (50kVA - 200kVA)

- * TRANSFORMER IS ALUMINUM WOUND (COPPER WINDING ALSO AVAILABLE)
- * SECONDARY PANELBOARD ACCEPTS TYPE UQFP ONLY (ORDERED SEPARATELY)
- * STANDARD TAPS 2FCAN AND 4FCBN